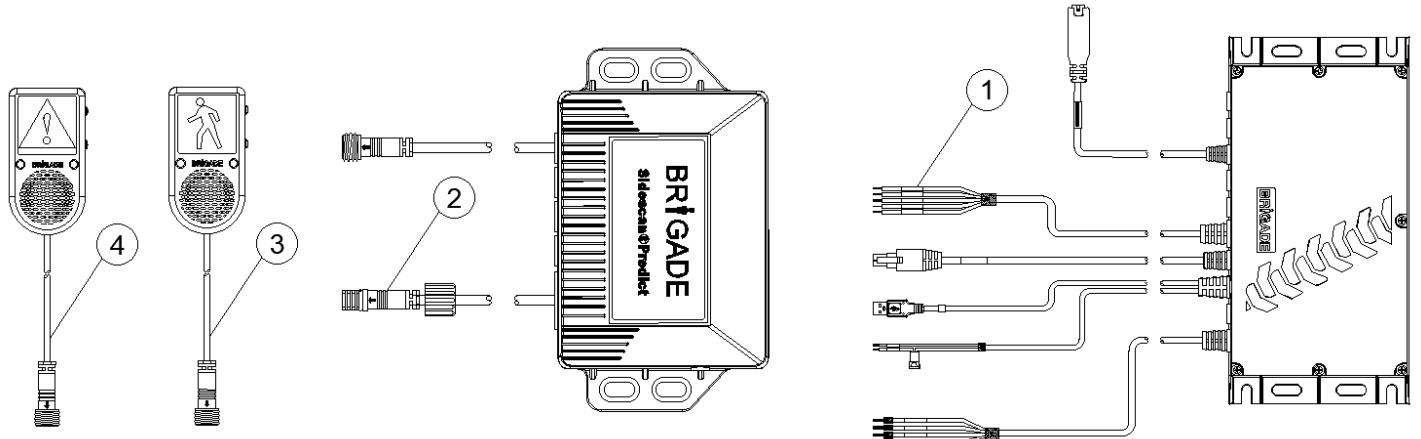


# Product Specification



Brigade Model Number:  
Part Number:

SSP-6000W | SSP-6000W-PD  
(6153) (6154)



## Product Specification

### Environmental Specifications:

- Mechanical Shock Rating: 51G (All 3 axis - 6 directions)
- Mechanical Vibration Rating: 8.5G (All 3 axis - 32 hrs each)
- Buzzer IP Rating: IP30
- Algorithm ECU IP Rating: IP30
- Sensor Subsystem IP Rating: IP69K
- Operating Temperature: -30°C to +70°C
- Storage Temperature: -40°C to +85°C

### Approved Standards:

- CE - (EN 61000-6-3: 2007+A1:2011/ EN IEC 61000-6-2:2019)
- FCC - (47 CFR Part 15 Subpart B)
- IC - (ICES-003:2020, Issue 7)
- 'E' Mark - (ECE Regulation 10 Rev. 05)
- Elements of ISO 16750:2012
- RoHS
- WEEE

### Technical Specifications:

- Operating Voltage: 10 - 32 Vdc
- Input Current (with 16 sensors): 230 mA @ 12 V
- Power Consumption: ≤3 W @ 12 V
- Detection Range: 0 - 2.5 m
- Response Time: <100 ms
- Start-up Time: <3 seconds
- Speed Signal: Tachograph B7
- ECU Casing Material: ABS Plastic
- Sensor Casing Material: Metal
- Colour: Black
- Sensor Mounting Height: 0.6 - 1.4 m
- Algorithm ECU Dimensions: 193(L) x 95(W) x 35(H) mm
- Ultrasonic ECU Dimensions: 117(L) x 69(W) x 27(H) mm
- Buzzer Dimensions: 92(L) x 52(W) x 21(H) mm

### Configuration Software Specifications:

- Operating System: Windows 10
- Minimum Resolution: 1280 x 960

### Features:

- Audio alerts for predicted collisions and dangerous scenarios
- Visual alerts for moving objects
- Vehicle motion monitoring to remove unnecessary alarms
- Buzzer display with power / fault indicator capable of visual and audio warnings
- Extra-wide sensor detection pattern for full blind spot coverage
- Dedicated configuration tool and software
- ECU configuration and diagnostics via USB
- Indicator-activated external turn alarms can be triggered via switched ground output triggers without additional hardware
- Indicator and vehicle speed acquisition without additional hardware
- System automatically shuts off above 18.6 mph / 30 kph

### SSP-6000W Package Contents:

- 1 x SSP-6000KT - SideScan@Predict Sub Assembly Kit (UDS ECU (2), 6 sensors and cabling (NOT SHOWN))
- 1 x SSP-1000-AI-ECU - Sidescan@Predict Algorithm ECU (1)
- 1 x SSP-1000-DPW - Sidescan@Predict Display (Warning Icon) (4)
- 1 x GENERIC-UG-SW-QG - Generic User Guide and Software Link Card (NOT SHOWN)
- 1 x SSP-6000W-DI-QG - Sidescan@Predict SSP-6000W Driver Information Sheet (NOT SHOWN)

### SSP-6000W-PD Package Contents:

- 1 x SSP-6000KT - SideScan@Predict Sub Assembly Kit (UDS ECU (2), 6 sensors not shown)
- 1 x SSP-1000-AI-ECU - Sidescan@Predict Algorithm ECU (1)
- 1 x SSP-1000-DPP - Sidescan@Predict Display (Pedestrian Icon) (3)
- 1 x GENERIC-UG-SW-QG - Generic User Guide and Software Link Card (NOT SHOWN)